

DiBos Micro Digital Video Recorders



Security Systems



- Models for 6 and 12 analog cameras and up to 8 additional network cameras/servers
- MPEG-4 compression
- Control cameras and AutoDomes with Biphase or Bilinx
- 2 Spot monitor outputs
- Web-browser access for remote viewing and control
- CD-RW/DVD-RW for exporting video clips
- Integrates to Bosch security panels and or ATMs
- Powerful and easy-to-use interface

DiBos takes video surveillance to a new level with Bosch's state-of-the-art digital recording and communications technology. It is an integral part of overall security solutions for a wide range of applications – including banks, large retailers, railway stations, airports, city centers, industrial facilities, and public and corporate offices.

Customers can retrieve vital images and share information faster than ever before – so they can assess situations and take action immediately. Whether they're on site or at a remote network location, authorized personnel have quick, convenient access to critical information so they can operate more effectively and efficiently.

DiBos is scalable – it can store up to 180/150 ips (NTSC/PAL) on 12 composite video inputs, plus up to 30/25 ips per attached network camera or network video server. Users can connect up to 8 additional network video/audio sources. As many as 4 audio streams can be recorded on a 12-video channel unit, and every network video server can add one audio channel.

The system offers advanced features for viewing, flexible recording, and image access. The real power of DiBos is fast, convenient accessibility to images and information – whenever and wherever customers need it. They can communicate and access DiBos via a private or public network. The system also interfaces to a variety of peripheral devices and systems.

The GUI's unique, scalable viewing capability allows live and archived images from multiple remote systems to be viewed from the same remote PC, or even other DiBos systems. With this powerful tool, security managers can monitor and supervise various locations simultaneously, with complete flexibility in selecting and viewing live and recorded images.

Cameras and viewing modes can be programmed or selected manually. Each camera also offers exceptional in-window pan/tilt/zoom functionality from local or remote facilities. Images are displayed with date/time, location, zone, camera indications, and status of connected devices such as detectors and sensors.

DiBos can be programmed to respond to specific situations and events automatically, without human intervention. Actions may include transmitting images and/or messages to security personnel or alarm monitoring centers in a pre-defined situation (e.g., an alarm is triggered).

Playback is easy thanks to familiar “tree structure” search and navigation functions. Images can be accessed locally or remotely via a company network or the Internet. Customers can select multiple views from as many as 30 cameras.

Fast, powerful image search functions eliminate time-consuming manual searches of physical media. Functions include Smart Search for image changes, as well as searches for criteria such as camera number, recording date/time, and optional ATM transaction data. ATM data includes credit card, time, date, transaction number, bank code, account number, and/or amount withdrawn.

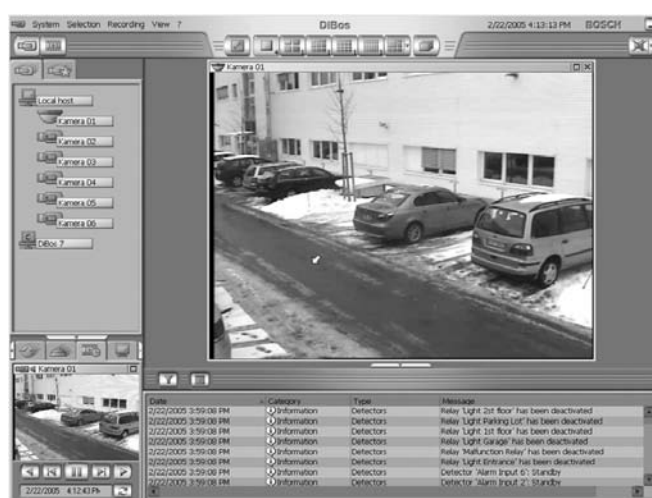
To ensure high security, all access is subject to appropriate user authorization. Profiles are assigned by the system administrator and events are tracked in the database (e.g., login, logoff, status changes, image transmission, and system shutdown). Video authentication is built in to ensure that DiBos images are not altered in any way.

The system's architecture allows standard network devices to be connected and used transparently. A variety of network storage devices – such as external disk arrays, RAID and NAS devices, and external disk drives – may be used for exporting, backup, or image sharing.

DiBos supports Bilinx capability for remote PTZ and remote camera setup. The configuration wizard makes installation quick and easy. And once it's installed, customers have full control of camera selections, sequencing, and viewing modes for every situation.

DiBos serial ports can connect to the alarm panel, ATMs, or Allegiant matrices (existing ones are controlled via CCL commands).

In addition to MPEG-4 network capability, DiBos can receive JPEG images from a variety of manufacturers' network cameras. These cameras can be added to a fully populated system in a network environment. Recording configurations may be set to archive images (just like a standard camera).

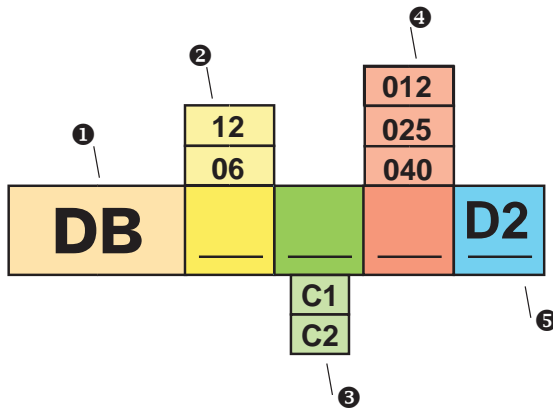


Live screen



Playback screen

Installation/Configuration Notes



- 1 Type DiBos
- 2 Number of analog camera inputs
- 3 C1 version with: 120, 250, 400 GB
C2 version with: 250, 400 GB
- 4 Disk size (x10GB)
- 5 Version

E.g. : DB 12 C2 040 D2

is 12 channel DiBos Micro with 400 GB storage

Technical Specifications

Electrical

Camera Inputs	Brake out cable with 6 (DB 06) or 12 (DB 12) BNC connectors			
1V p-p composite video signal	75 ohm			
Recording resolution	PAL 352 x 288 (CIF), 704 x 288 (2CIF) NTSC 352 x 240 (CIF), 704 x 240(2CIF)			
Network devices	8 Video/Audio MPEG-4 devices from Bosch/VCS network devices or MJPEG devices			
Compression Method	MPEG-4			
DiBos unit (PAL/NTSC)	IPS CIF (PAL)	IPS CIF (NTSC)	IPS 2CIF (PAL)	IPS 2CIF (NTSC)
DB 06 C1 xxx D2	75	90	50	60
DB 16 C2 xxx D2	150	180	100	120
Image Size	Configurable from appr. 1.5kB to 20kB			
IPS PAL per channel	0.5, 1, 2, 3, 4, 5, 6, 8, 12.5, 25			
IPS NTSC per channel	0.5, 1, 2, 3, 5, 6, 7.5, 10, 15, 30			
Audio Inputs	2 or 4, cinch connector, line-in-signal, 16 kHz sample rate			
Audio Outputs phone	1, Line-out signal, 1/8in. mini jack			
Alarm Inputs (NO / NC)	12			
Malfunction Relay Output	1			
Relay Outputs (NO / NC)	12			
Spot Monitor Output	2 CVBS outputs for full screen or sequences from the attached analogue cameras			
Bilinx	For AutoDome control and Dinion camera configuration via coax			
PTZ control	Bilinx (via Coax for up to 12 AutoDome units) Biphase (up to 12 AutoDome units)			
	RS 232: Supported Protocols: Bosch, Panasonic, Pelco (D-Protocol), JVC, SAE			
	RS 232: Via Console Port of Any Allegiant Matrix			
Internal HDD Storage*	120GB, 250GB, 400GB			
Video Output	1 x VGA			
Ethernet	10/100/1000Base-T, bandwidth throttling			
CPU	Intel Celeron® (min. 2,6 GHz)			
RAM	512MB			
RS 232	1			
USB 2.0	6			
CD-RW or DVD-RW	Included			
Power Supply	100 / 240 VAC, 50 / 60 Hz (auto switch)			
Typical Power	120W (approximate)			
Consumption				
Operating System	Microsoft Windows® XP embedded			
Export of Video/Audio	DiBos-format or ASF-format on DVD-RW, USB-device or network drive			
Image Printers	via USB (with Windows XP drivers)			

*) 5GB HDD space is used for the OS and DiBos software.

Mechanical	
Dimensions	11.5 x 48.0 x 43 cm
(H x W x D)	(4.5 x 19 x 17 inch)
Weight	11.3 kg (25lb), based on model

Environmental	
Operating Temperature	5°C to 35°C, (41°F to 95°F)
Storage Temperature	-10°C to 60°C, (-14°F to 140°F)
Relative Humidity in Operation	15% to 80%, not condensing
Relative Humidity in Storage	8% to 80%, not condensing

Product Safety	
Electromagnetic Compatibility (EMC)	
-USA	FCC Part 15, Class B
-EU	EMC directive 89/336/EEC Immunity: Compliance with EN 50130-4 requires an external UPS*. Emission: EN 55022, Class B Mains Harmonics: EN 61000-3-2 Voltage fluctuations: EN 61000-3-3

Safety	
- USA	UL60950 Third edition (2000) CAN/CSA 22.2 No.60950-00, Third edition (2000)
- EU	EN60950: 2000
Warranty	3 Years
Approved anti virus software (3rd Party Manufacturers)	Norton Anti Virus McAfee Virus Scan Trend Micro

Hardware and Software options	
DiBos software receiver for alarm image streams via network and/or ISDN and / or PSTN	
DB SR 00 2	No configurable network devices
DB SR 16 2	Up to 16 configurable network devices
DB SR 32 2	Up to 32 configurable network devices
Remote PC Requirements for DB SR XX 2	
Operating System	Windows XP Professional
CPU	2GHz, Pentium® 4
RAM	512MB
VGA Card	1024 x 768, 32-bit color
USB Port	for dongle

*) The product is tested according EN50130-4, excluding voltage interruptions as indicated in EN50130-4:1995 chapter 8.3.4.
Full EN50130-4 compliance requires an external Uninterruptible Power Supply. The UPS is not included with the product. For further details see the installation manual.

Country kits	
(All versions include manuals, keyboard and mouse)	
DB EK 01 2 EN	English Version
DB EK 01 2 DE	German Version
DB EK 01 2 FR	French Version
DB EK 01 2 ES	Spanish Version
DB EK 01 2 IT	Italian Version
DB EK 01 2 PT	Portuguese Version
DB EK 01 2 NL	Dutch Version

External Storage Expansion**	
DB EK 02 1	SCSI-Adapter for External Hard Disk Drive Array, Supports Various Bosch Disk Arrays up to 16TB (only for DB 06)

Communication Extensions**	
DB EK 03 1	PCI Modem Card (only for DB 06)

Interface Extension for Bosch Security Systems Panels	
DB SE 03 1	Connection via RS-232 to 9000 Series (Radionics), UGM 2020, UEZ 2000/1000, BZ 500, NZ/BZ 1060, NZ/BZ 1012, NZ 1008

Interface Extension for Automated Teller Machines (ATM)**	
DB SE 01 3	Up to 4 ATMs
DB SE 01 4	Up to 2 ATMs

Upgrade Kit for cameras**	
DB EK 10 1	Expansion card for 6 cameras (only for DB 06), build-in by BOSCH only

Web Browser	
Microsoft Internet Explorer 5.x or higher, on Windows 2000 or Windows XP ®	

**) Consult your local Bosch Security Systems Sales office for details.

Windows® and Windows XP®, are registered trademarks of Microsoft Corporation.
Intel Pentium® and Celeron® are registered trademarks of Intel Corporation.

Ordering Information	
Model & Description	
DB 06 C1 012 DL2	6 channel Dibos Micro with 120GB HDD, CD-RW, no IP devices
DB 06 C1 012 D2	6 channel Dibos Micro with 120GB HDD, CD-RW, 8 IP devices
DB 06 C1 025 D2	6 channel Dibos Micro with 250 GB HDD, DVD-RW, 8 IP devices
DB 06 C1 040 D2	6 channel Dibos Micro with 400 GB HDD, DVD-RW, 8 IP devices
DB 12 C2 025 D2	12 channel Dibos Micro with 250 GB HDD, DVD-RW, 8 IP devices
DB 12 C2 040 D2	12 channel Dibos Micro with 400 GB HDD, DVD-RW, 8 IP devices

Americas: Bosch Security Systems 130 Perinton Parkway Fairport, New York, 14450, USA Phone:+1 585 223 4060 +1 800 289 0096 security.sales@us.bosch.com http://www.boschsecurity.us	Europe, Middle East, Africa: Bosch Security Systems B.V. P.O. Box 80002 5600 JB Eindhoven, The Netherlands Phone:+31 (0) 40 27 83955 Fax:+31 (0) 40 27 86668 emea.securitysystems@bosch.com http://www.boschsecurity.com	Asia-Pacific: Bosch Security Systems Pte Ltd 38C Jalan Pemimpin Singapore 577180 Phone:+65 6319 3450 Fax:+65 6319 3499 apr.securitysystems@bosch.com http://www.boschsecurity.com
--	--	---

